

Simply   
Bathroom™

# Wide Platform Digital Scale

Operating Instructions



Model Number 4564

After Sales Support  
TEL: 1300 470 038



Simply   
Bathroom™

**Wide Platform Digital Scale**

## Warranty Details

---

The product is guaranteed to be free from defects in workmanship and parts for a period of 12 months (dependant on product) from the date of purchase. Defects that occur within this warranty period, under normal use and care, will be repaired, replaced or refunded at our discretion. The benefits conferred by this warranty are in addition to all rights and remedies in respect of the product that the consumer has under the Competition and Consumer Act 2010 and similar state and territory laws.

Our goods come with guarantees that cannot be excluded under the Australian Consumer Law. You are entitled to a replacement or refund for a major failure and for compensation for any other reasonably foreseeable loss or damage. You are also entitled to have the goods repaired or replaced if the goods fail to be of acceptable quality and the failure does not amount to a major failure.

---

### After Sales Support

Telephone: 1300 470 038

Operating Hours: Mon - Fri. 8.30am - 6pm EST





Simply   
Bathroom™

**Wide Platform Digital Scale**

## **Repair and Refurbished Goods or Parts Notice**

---

Unfortunately, from time to time, faulty products are manufactured which need to be returned to the Supplier for repair.

Please be aware that if your product is capable of retaining user-generated data (such as files stored on a computer hard drive, telephone numbers stored on a mobile telephone, songs stored on a portable media player, games saved on a games console or files stored on a USB memory stick) during the process of repair, some or all of your stored data may be lost. **We recommend you save this data elsewhere prior to sending the product for repair.**

You should also be aware that rather than repairing goods, we may replace them with refurbished goods of the same type or use refurbished parts in the repair process.

**Please be assured though, refurbished parts or replacements are only used where they meet ALDI's stringent quality specifications.**

If at any time you feel your repair is being handled unsatisfactorily, you may escalate your complaint. Please telephone us on 1300 470 038 or write to us at:

SUPERTEX INDUSTRIES PTY LTD  
PO Box 7220, Silverwater NSW 2128  
Telephone: 1300 470 038 Mon - Fri 8.30am - 6pm EST  
Email: [customerservice@supertex.com.au](mailto:customerservice@supertex.com.au)

---

### **After Sales Support**

**Telephone: 1300 470 038**  
**Operating Hours: Mon - Fri. 8.30am - 6pm EST**



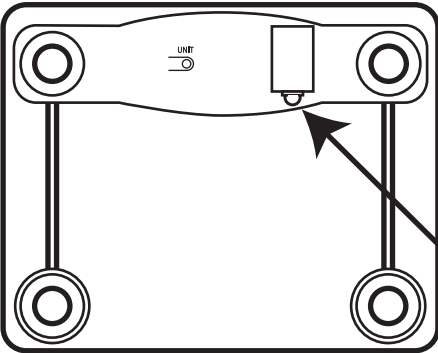
# OPERATING INSTRUCTIONS

Before use, please read the instructions carefully to ensure correct operation of the scale. Keep this for future reference

## Preparing Your Scale for Use

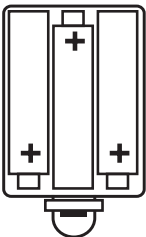
Before using your Simply Bathroom Wide Platform Digital Scale, remove all packaging from the scale.

## Inserting the Batteries



1. Turn the scale over and gently place, face down, on a clean, flat table or bench top.

2. Then slip your thumb under the battery compartment clip and lift to dislodge the cover.



3. Insert the 3 x AAA batteries (provided) – making sure the positive (+) and negative (-) terminals correspond with the

markings inside the battery compartment for correct positioning.

4. Once the batteries are securely in place, replace the cover and turn the scale the right way up.

## Changing the Unit Measure

Your Simply Bathroom scale can display your weight in kilograms (kg), pounds (lb) or stones and pounds (st lb).



This unit of measure can be changed at any time by pressing the button centred at the top on the back of the scale.

## Using the Scale

1. Place your scale on a firm and even surface such as a hard timber floor or flat tiles - please note that using the scale on carpet, or an uneven or flexible surface may result in erratic or inaccurate readings.

2. Gently step onto the scale. When standing on the scale, make sure your feet are evenly placed on the platform, make sure your weight is evenly distributed

between your feet and make sure you stand perfectly still. Movement, leaning backward, forward or from side to side will affect the accuracy of the scale.

3. The digital numbers will change while the scale computes your weight. Once stabilised, the final weight will flash and then locked in for display.

### **Automatic Switch-off**

The scale will automatically switch off after approx 10 seconds whether or not you are still standing on it. To re-start, simply step onto the scale.

### **Overloading**

If the scale is overloaded, the message “ERR” appears on the screen. This will happen if the weight on the scale exceeds 200 kilograms, 440 pounds or 31 stones 6 pound.

Remove the weight immediately or damage to the scale may occur.

### **Low Battery Indicator**

When the message “LO” appears on the digital display screen, the batteries need to be replaced.

Remember to always purchase good quality, fresh lithium or alkaline batteries.

For instructions on how to remove and insert batteries, please refer to the beginning of this instruction booklet.

## Warning About Batteries

<p><b>BATTERY WARNING:</b></p> <p><b>INTERNAL BURNS / CHOKING HAZARD</b> Swallowing batteries may lead to serious injury or death (severe burns can occur within 2 hours).</p> <p><b>IMMEDIATELY SEE A DOCTOR</b></p> <p><b>Emergency Telephone Numbers</b> 000</p> <p><b>Poisons Information Centre</b> 13 11 26</p> <p><b>KEEP BATTERIES OUT OF REACH OF CHILDREN</b> <i>Dispose of batteries immediately and responsibly</i></p>
---

- Non-rechargeable batteries are not to be recharged.
- Only batteries of the same or equivalent type are to be used.
- Batteries are to be inserted with the correct polarity.
- Remove exhausted batteries from the product.
- Remove batteries from the battery compartment when not in use.
- Never throw batteries in a fire or attempt to open up their outer casing.

## **Caring for Your Scale**

- When necessary, wipe the platform with a slightly damp cloth. Avoid the use of corrosive or household cleaners.
- Do not immerse the scale in water.
- Do not subject the scale to extreme temperatures, excessive steam or direct sunlight.
- Handle the scale with care – avoid impact with ceramic or stone surfaces.
- Do not jump or move around on the scale platform.
- Do not attempt to dismantle the scale – it does not contain parts that may be repaired by the user.
- Remove the batteries if the scale is not being used for a long period of time.



## Specifications

380mm x 330mm, 8mm thick tempered glass platform with rounded corners

Large 92mm x 55mm LCD with white backlight

Displays weight in kilograms (kg), pounds (lb) or stones and pounds (st lb)

Capacity: 200kg / 440 lb / 31st 6lb

Weight graduation: 0.1kg / 0.2lb / 0.2lb

Power: 3 x AAA batteries included with scale

Equipped with precision 'strain gauge' sensors

*\* Strain Gauge technology involves the electrical resistance or 'strain' measured by a steel bar within the scale, being depressed by the weight of the person on the scale. This 'strain' is then converted to a digital weight readout.*

## **Hints on Using Bathroom Scales**

Body weight varies with a number of factors including the amount of food recently eaten, the amount of waste recently expelled by the body, vigorous exercise and of course, the clothes you wear.

If possible, try to weigh yourself at the same time of day under the same conditions and with the same clothes on, or preferably no clothes on. This will reduce the chance of getting unexplained variations in weight.

Do not try to compare your weight on a number of scales. You may find you get different readings, which can be frustrating and confusing. The differences could be due to some scales being slightly inaccurate and/or your own body weight varying due to one or more of the factors mentioned above.

Even if a scale appears slightly inaccurate, it will normally give you an accurate measurement of the variance in your weight from the previous times you weighed yourself.

Most people purchase a scale to monitor their weight every now and then or to monitor loss or gain of weight during a loss / gain program they have chosen.

If you regularly use the same scale under the same conditions, it should monitor changes in your weight accurately.

Moving your scale around frequently may affect its accuracy, so if possible, try to leave it in a permanent position that has a firm and even surface. After moving it, ensure it shows zero correctly before using it again.

ALDI STORES  
1 SARGENTS ROAD  
MINCHINBURY  
NSW 2770  
[www.aldi.com.au](http://www.aldi.com.au)